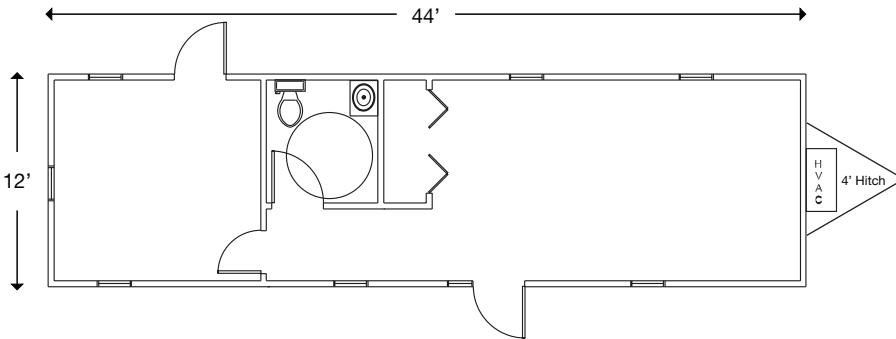


CASSONE

SIGNATURE SERIES TO 1248



ADDITIONAL FLOOR PLANS ARE AVAILABLE. FLOOR PLANS AND SPECIFICATIONS MAY VARY FROM THOSE SHOWN ABOVE AND ARE SUBJECT TO AVAILABILITY.

NOTES: _____

CUSTOMER APPROVAL

Customer Signature _____ Date _____

Print Name _____



TO 1248 FEATURES

SIZE

- 48' Overall, 44' x 12' Box
- 8' Ceiling Height
- 4' Hitch

INTERIOR

- 2 Rooms (1 Private Offices)
- 1/2 Bath
- Vinyl Covered Gypsum Walls
- Carpet
- Recessed Ceiling

ELECTRIC

- Recessed Fluorescent Ceiling Lights
- 100 Amp Breaker Panel

HEATING AND COOLING

- Central HVAC
- Electric Baseboard Heat

WINDOWS AND DOORS

- 23" x 53" Vertical Sliding Windows
- Glass Storefront Door

EXTERIOR

- Textured Wood Siding

1.800.640.8844 or 631.585.7800

1900 Lakeland Avenue, Ronkonkoma, New York 11779
FAX: 631.585.7895 ■ WBE & DBE CERTIFIED



WWW.CASSONE.COM